

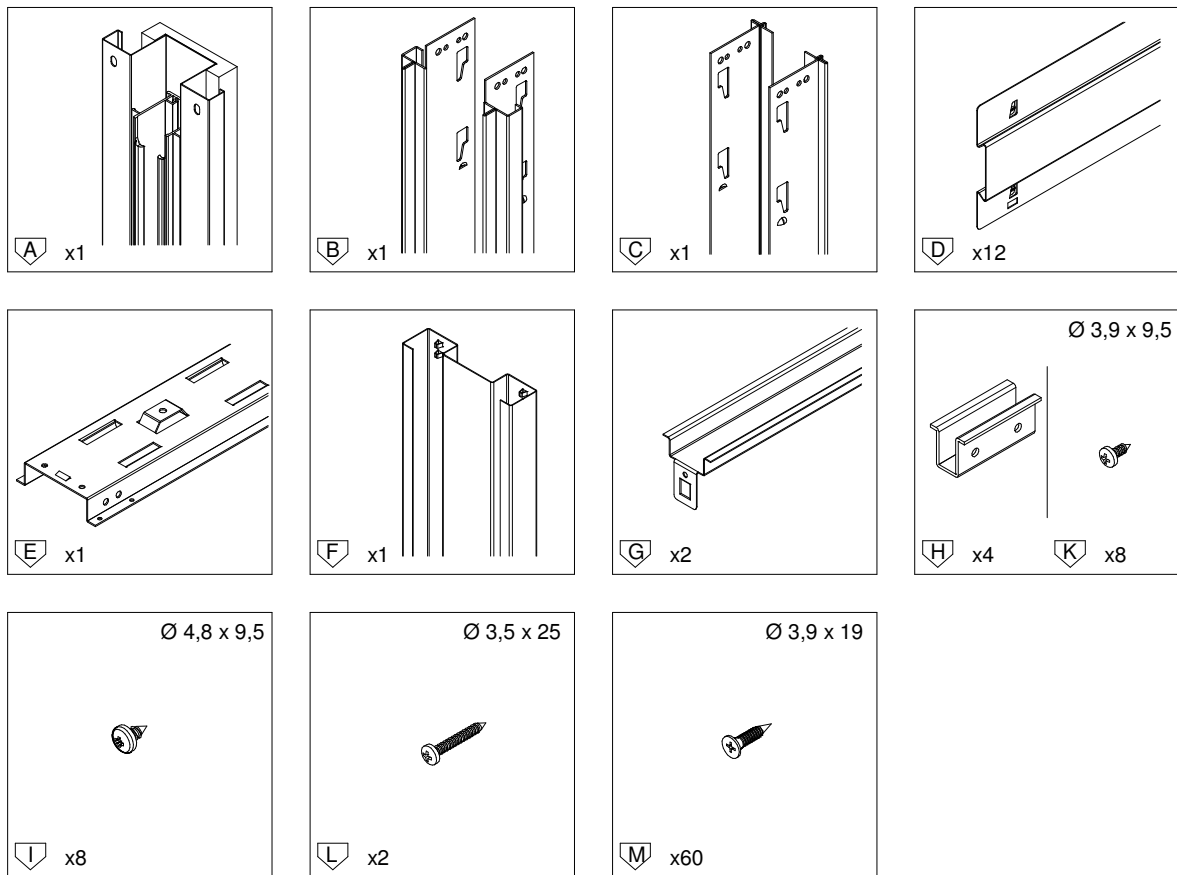
SETUP INSTRUCTION

MODELS: EVOKIT

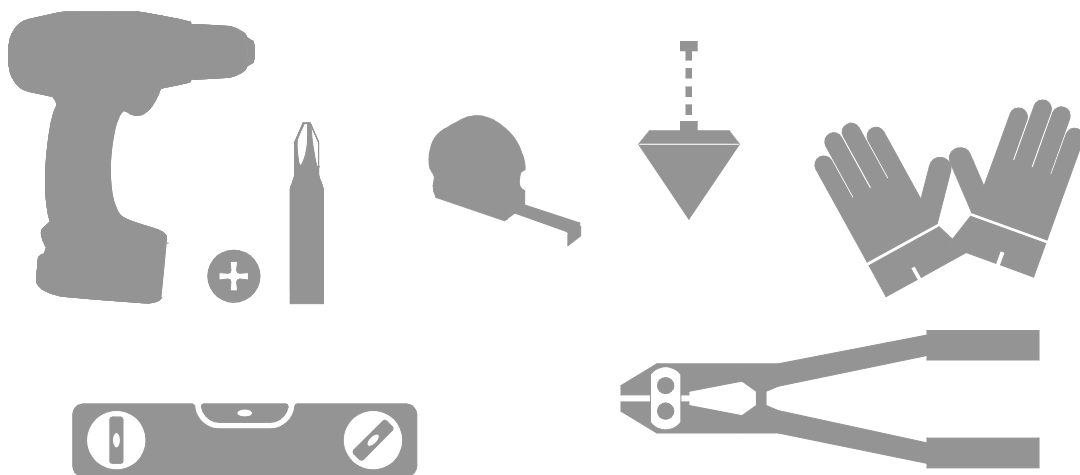
IRL

KIT CONTENTS

Standard equipment

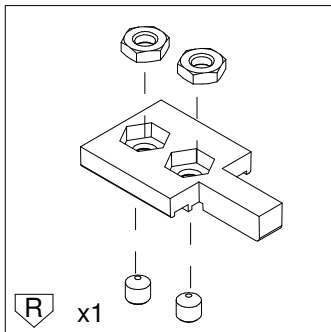
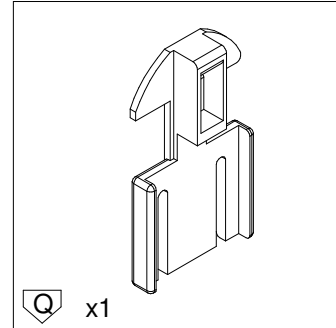
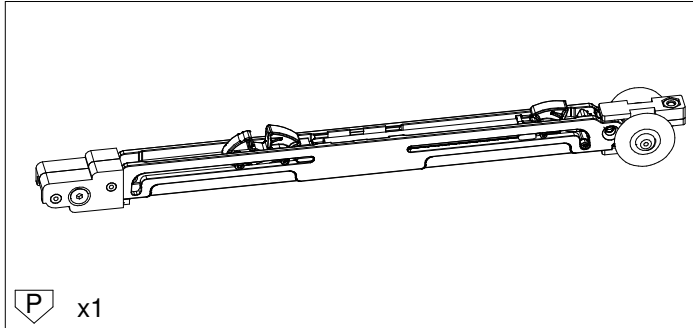


Tools

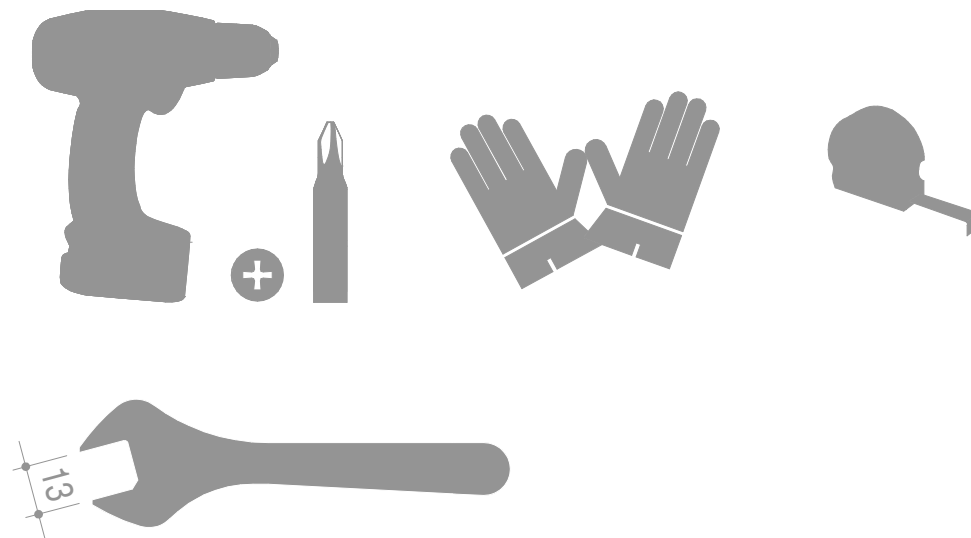


KIT CONTENTS

Easystop Ab Twin - equipment



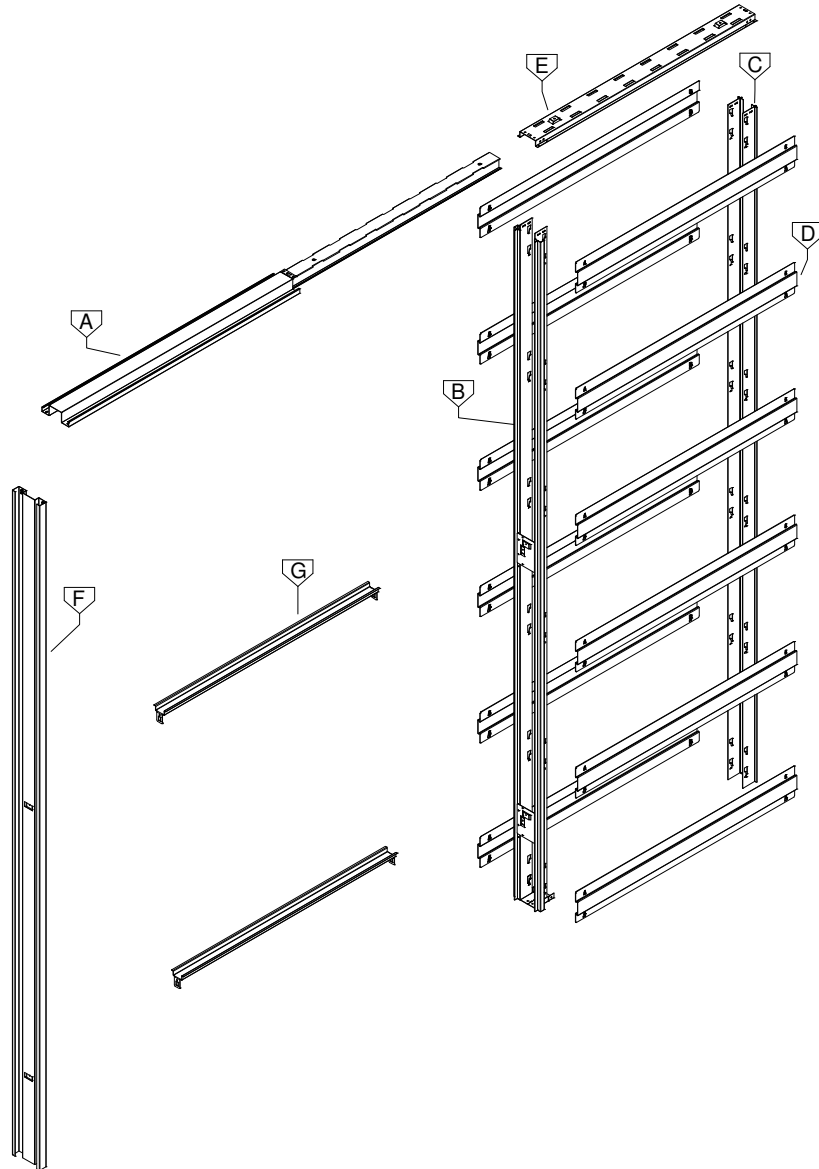
Tools



Subject to misprints, errors and technical modifications.
All dimensions are in mm



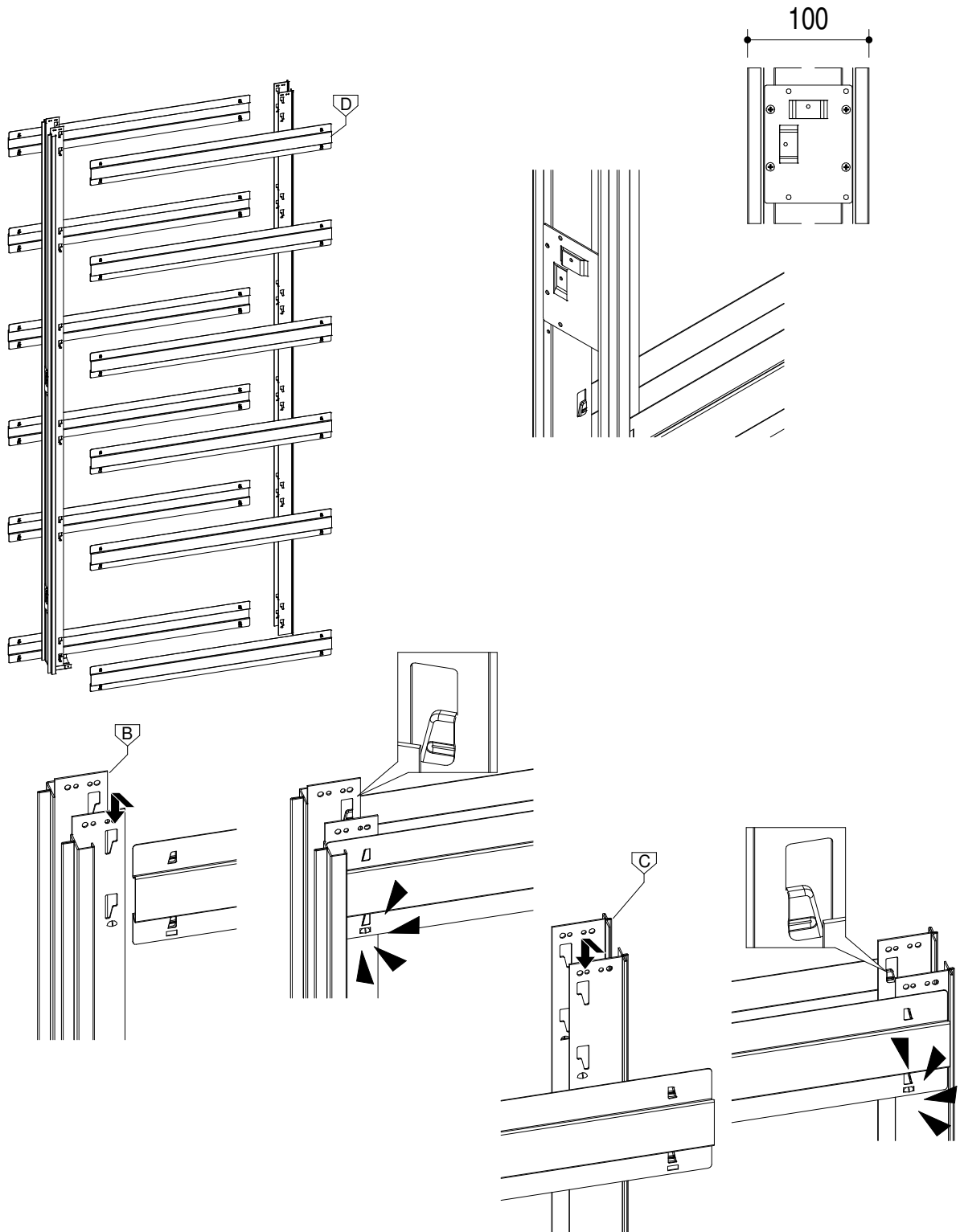
Overall view



INDEX

SETUP FOR 100MM FINISHED WALLS	4-8
SETUP FOR 125MM FINISHED WALLS	9-13
Setup of plasterboard	14-16
Setup Easystop Ab Twin - Soft Close / Open	11-13

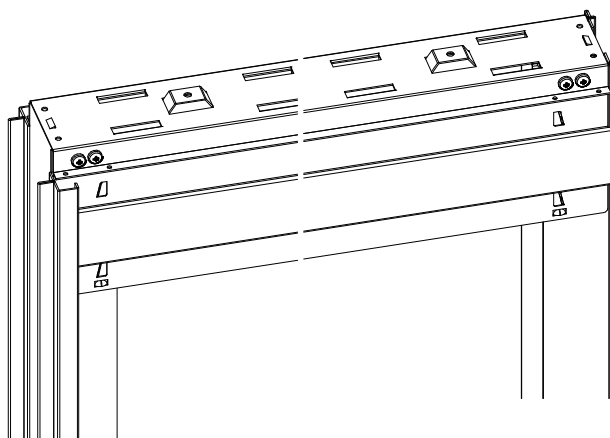
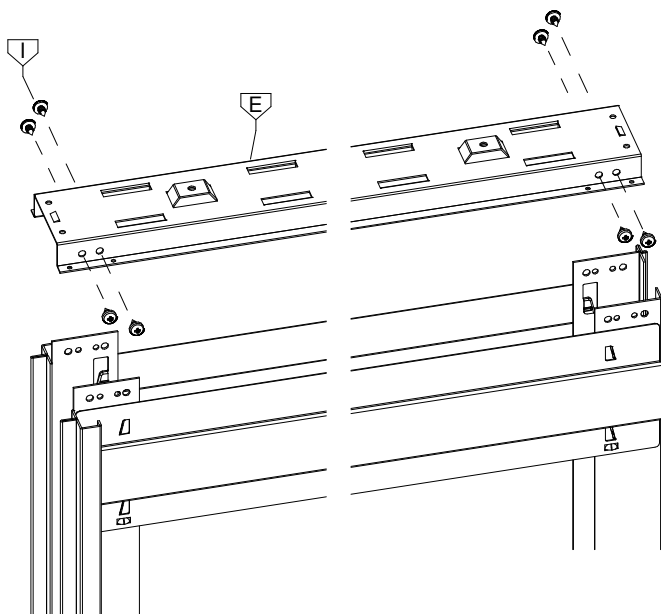
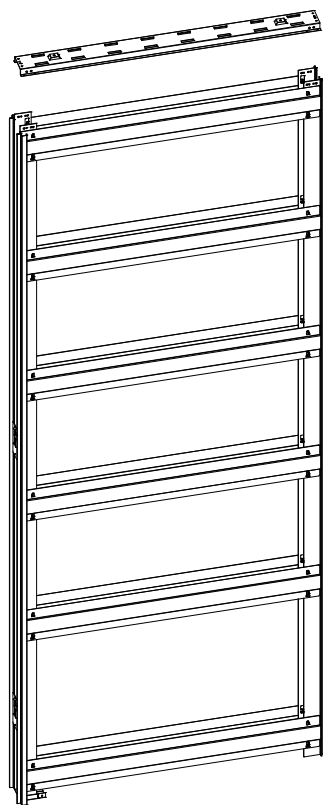
1.1



Subject to misprints, errors and technical modifications.
All dimensions are in mm

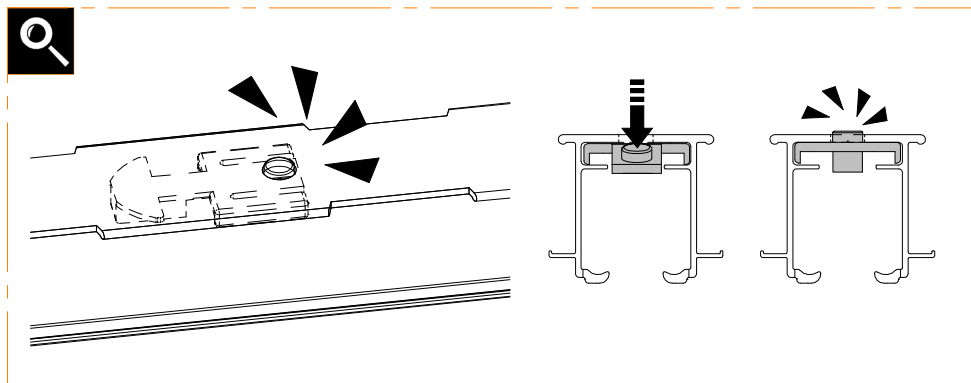
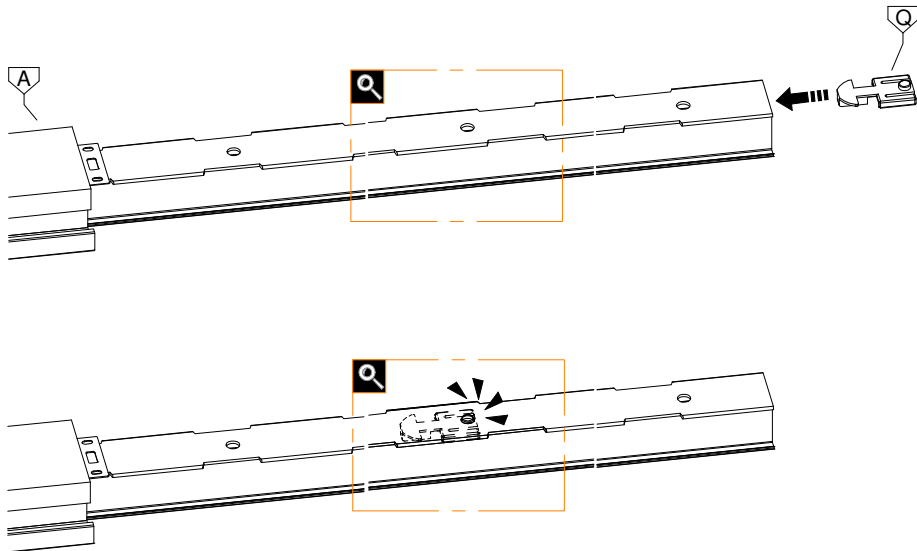


1.2



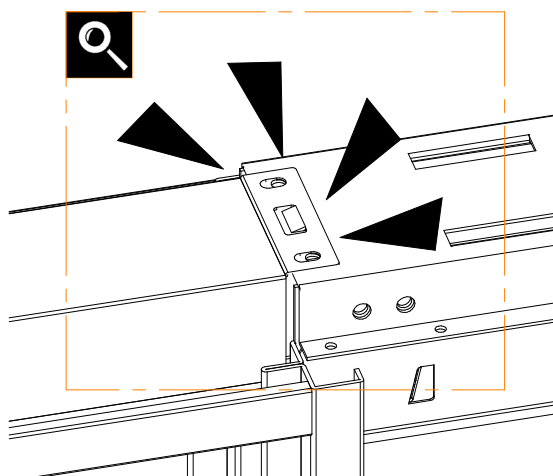
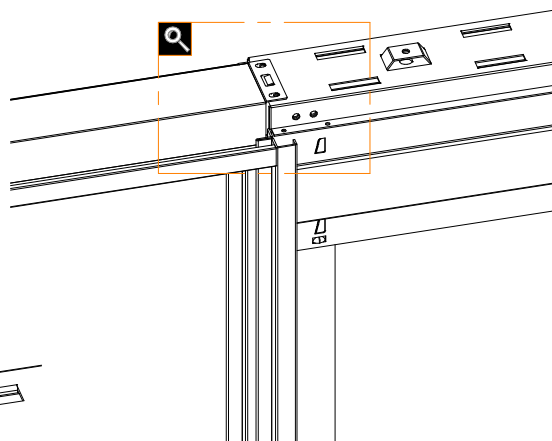
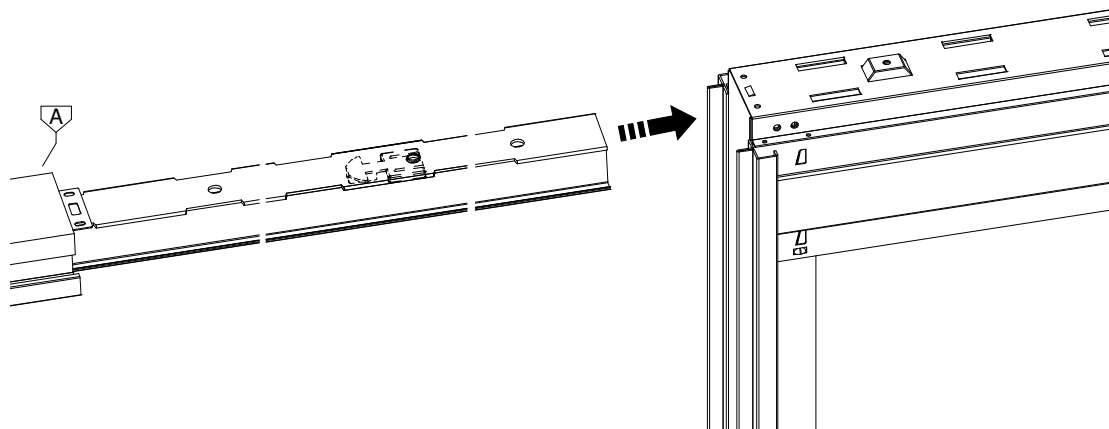
1.3

 HOLE PRE-DRILLED IN FACTORY

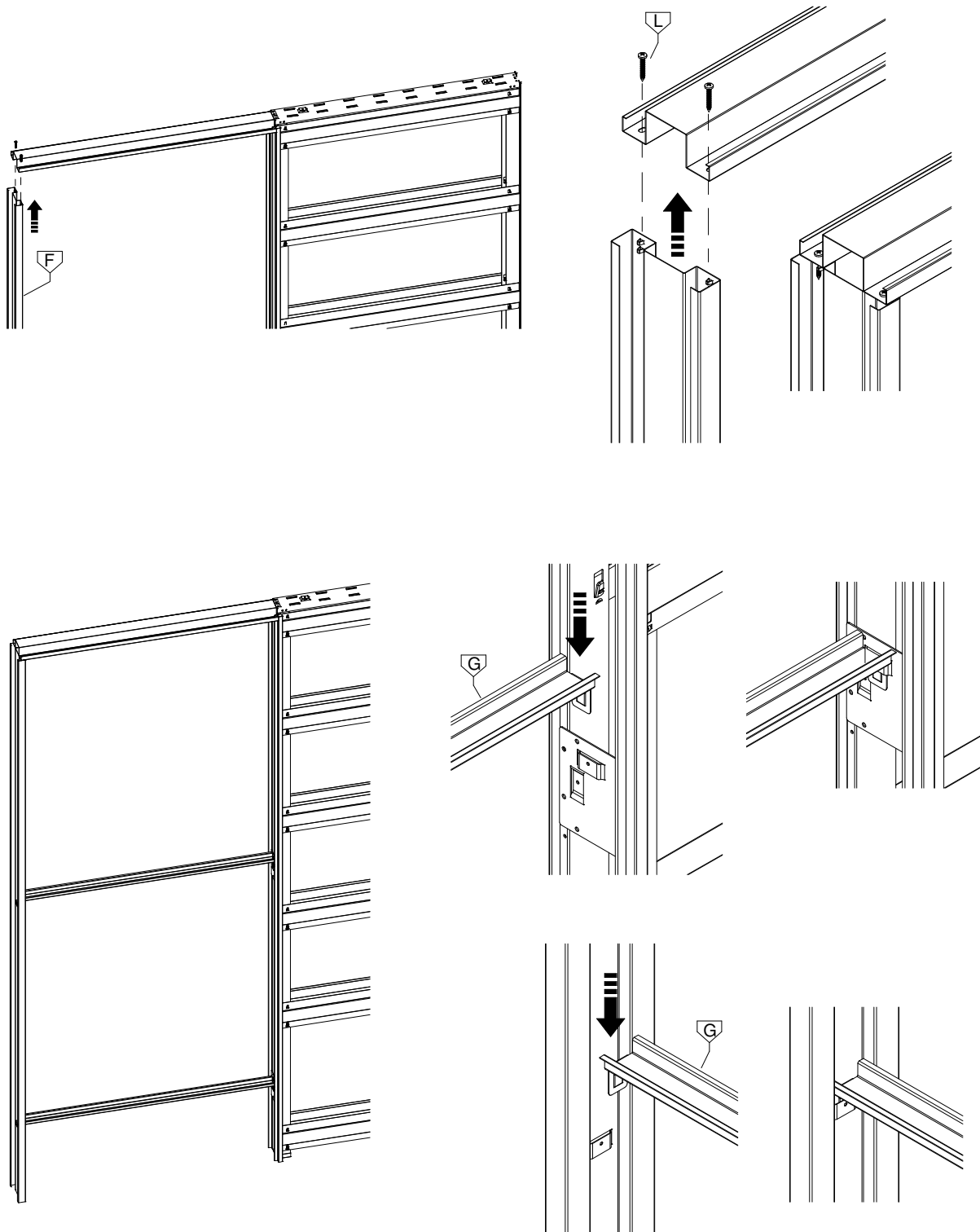




1.4



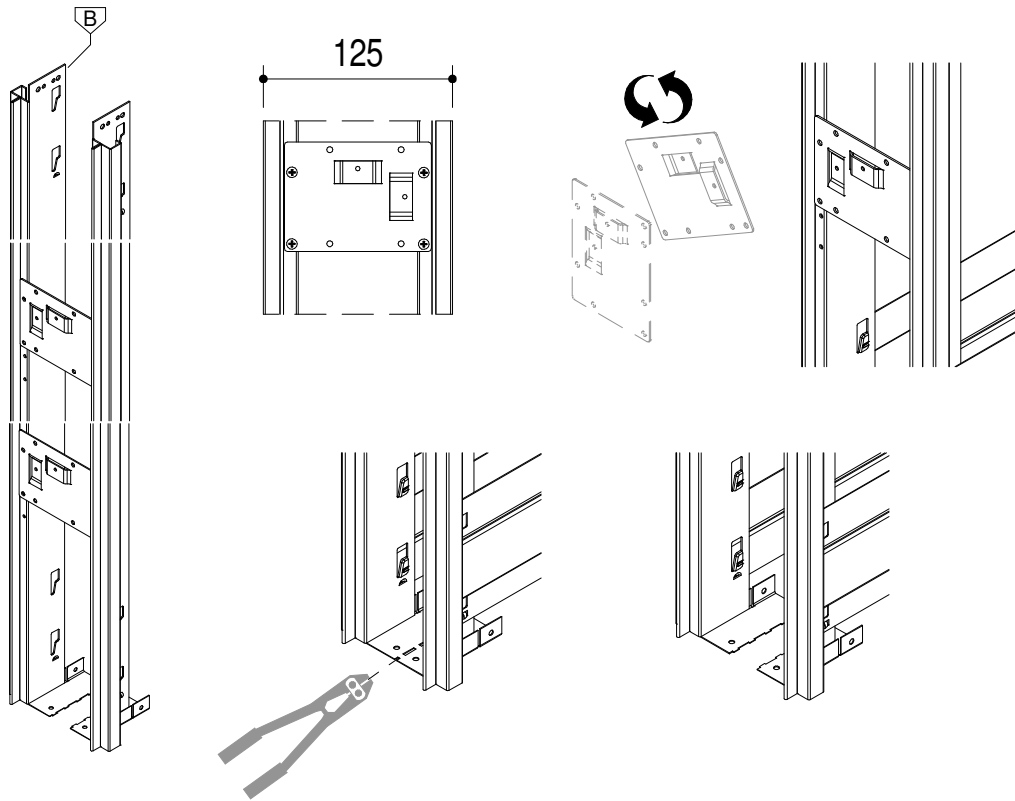
1.5



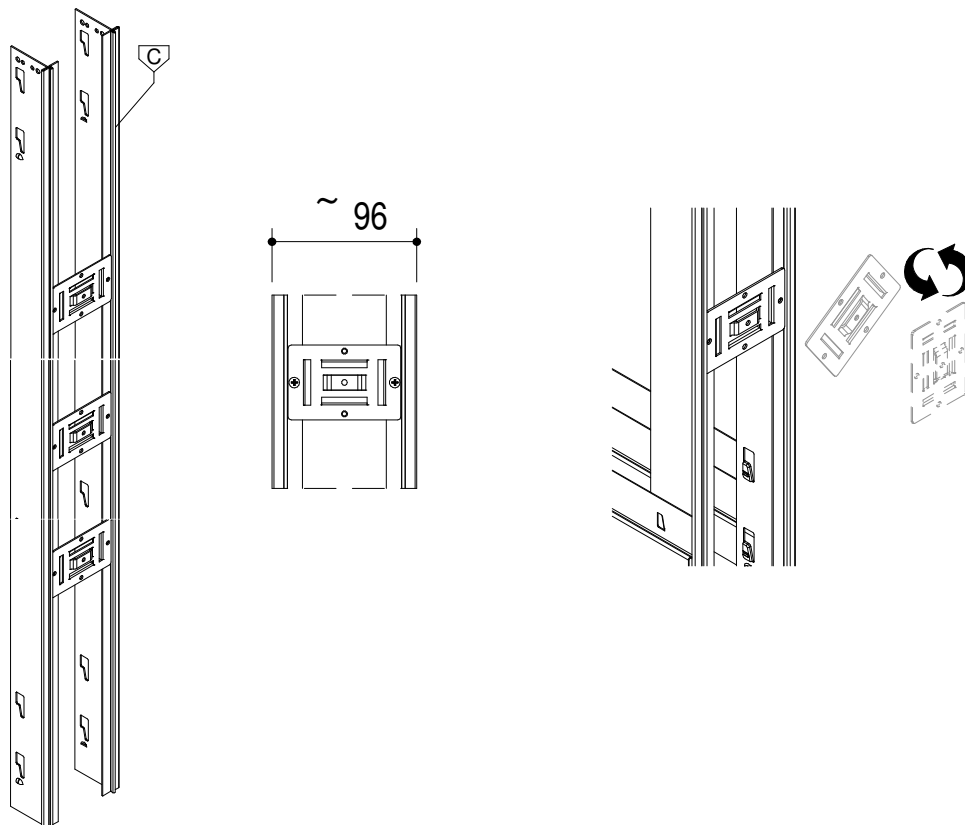
Subject to misprints, errors and technical modifications.
All dimensions are in mm



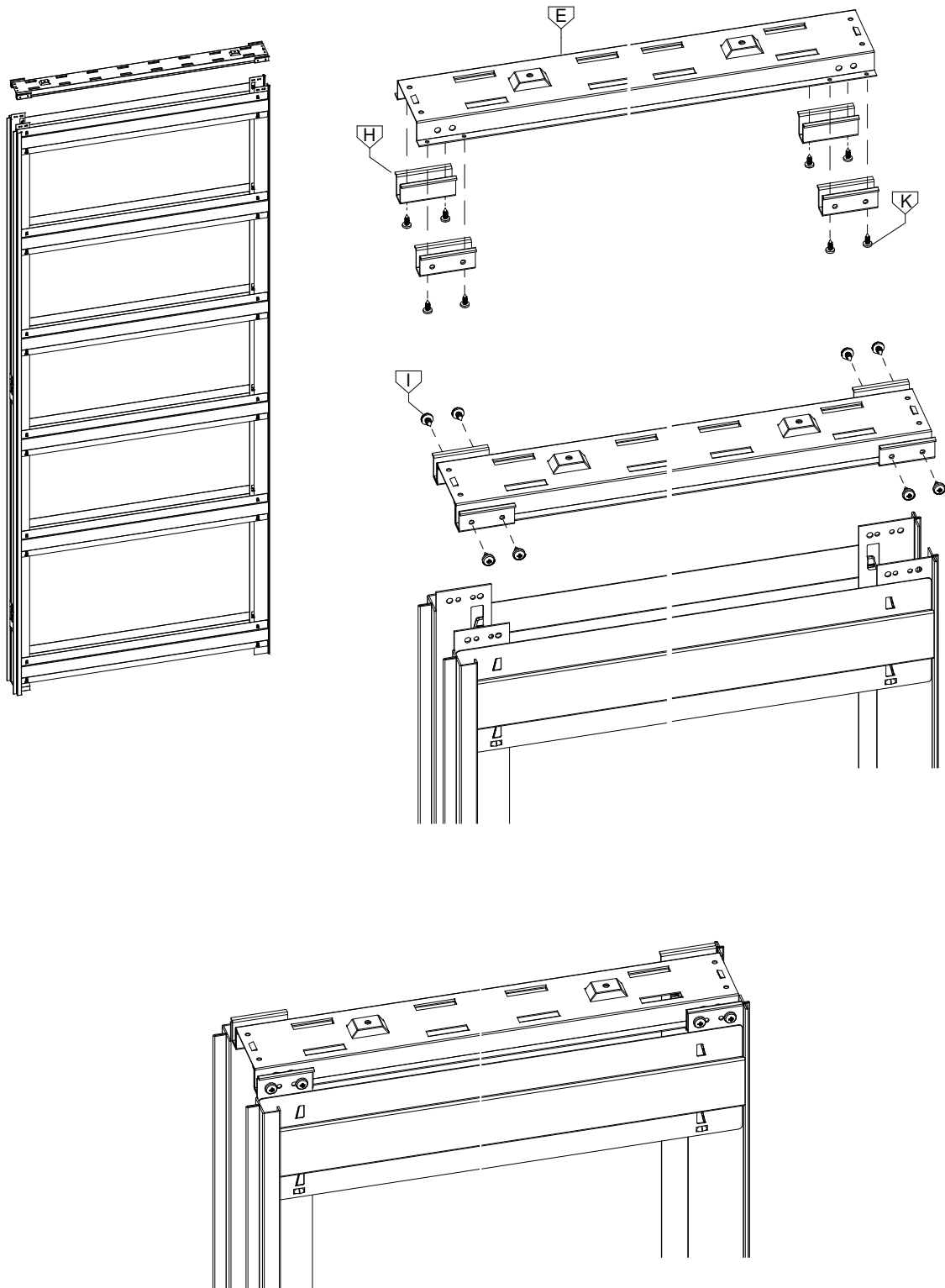
2.1



2.2



2.3

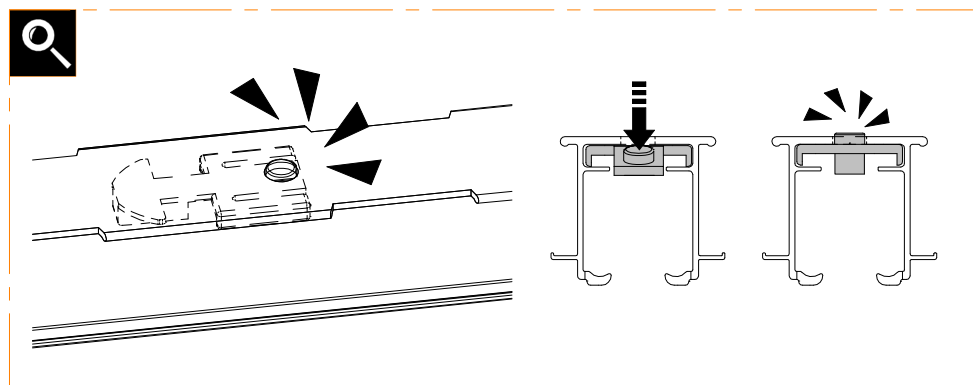
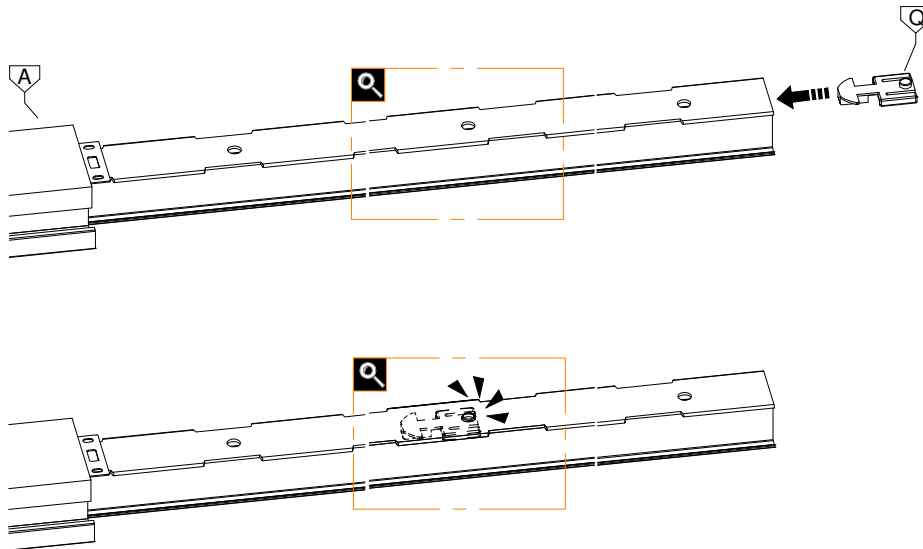


Subject to misprints, errors and technical modifications.
All dimensions are in mm

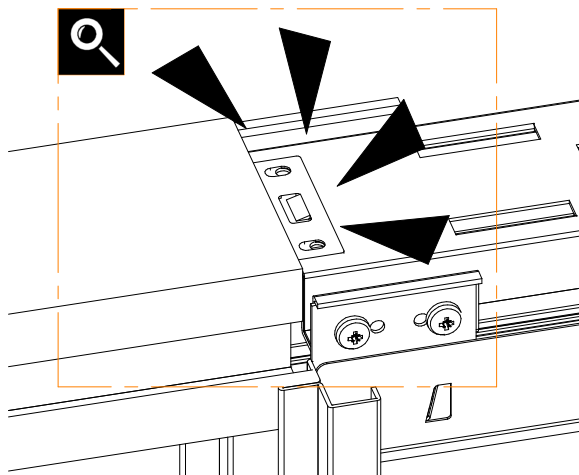
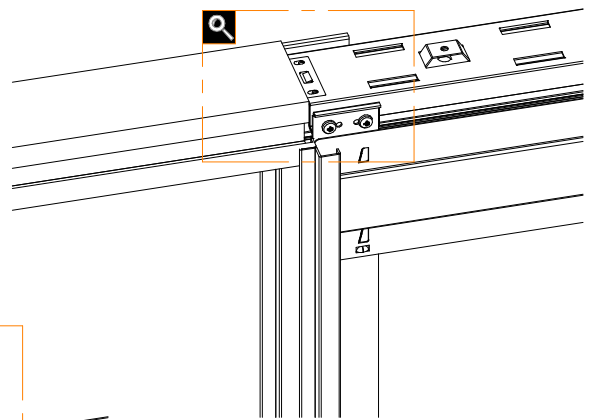
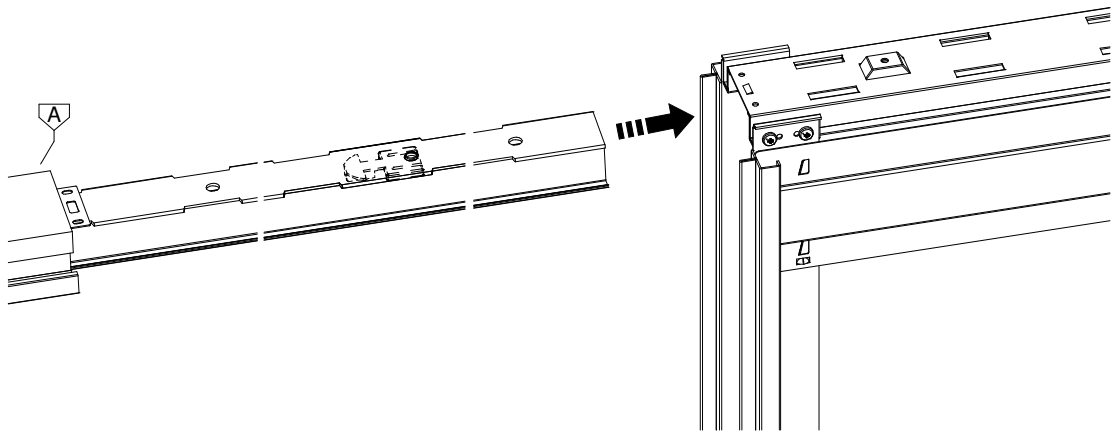


2.4

 HOLE PRE-DRILLED IN FACTORY

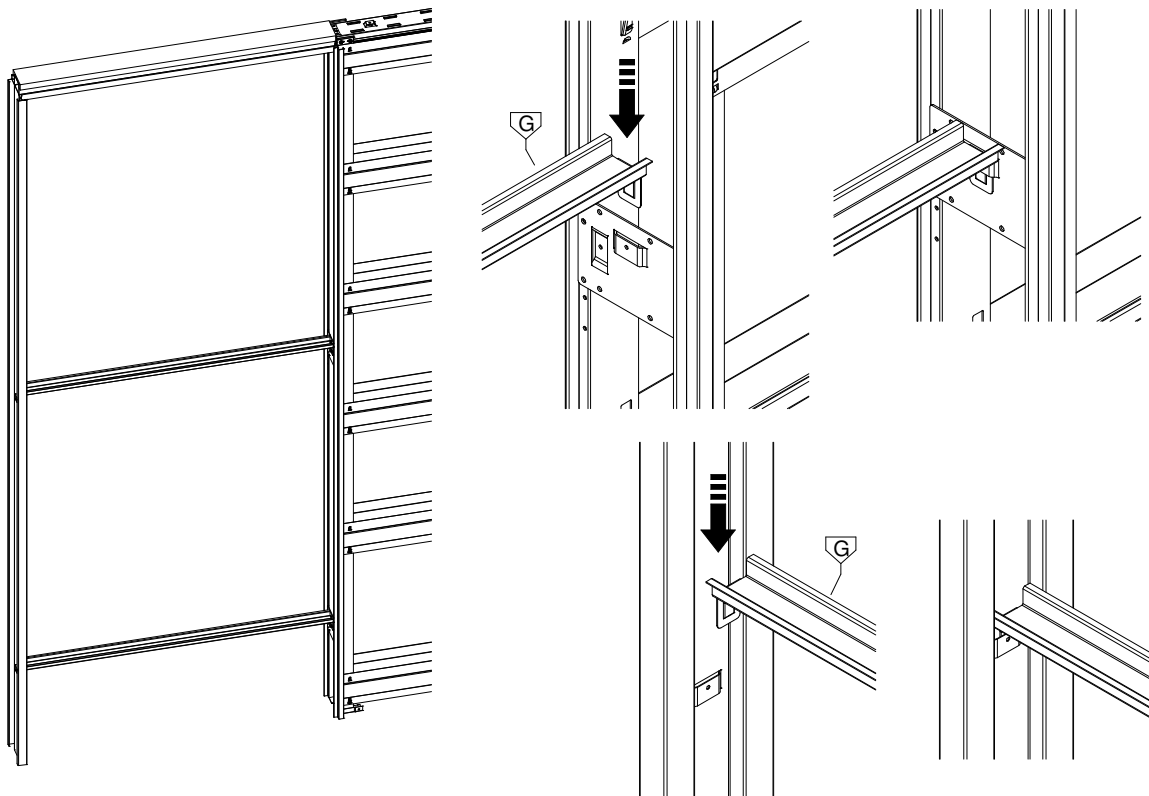
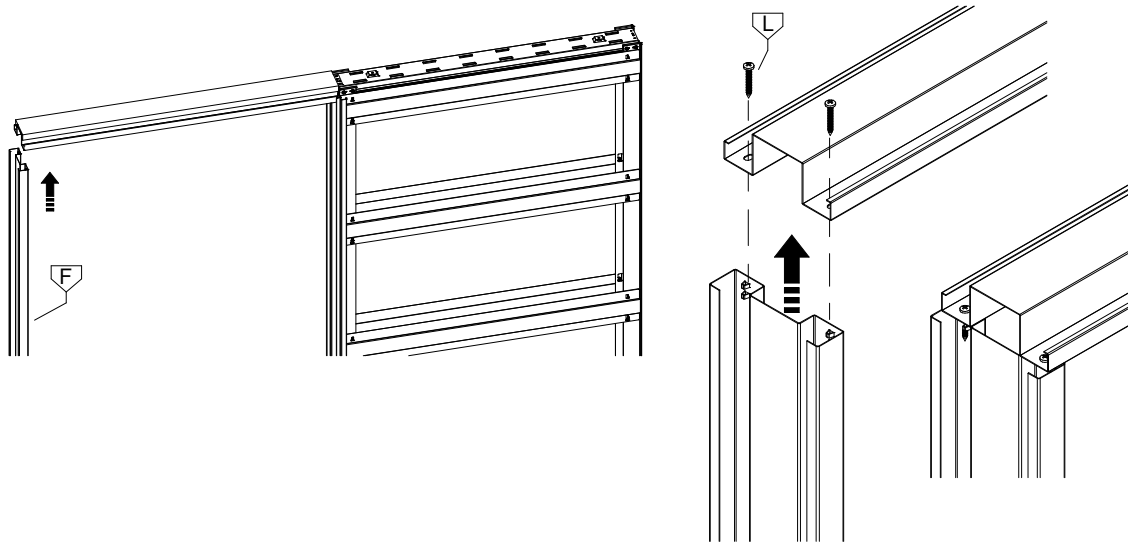


2.5

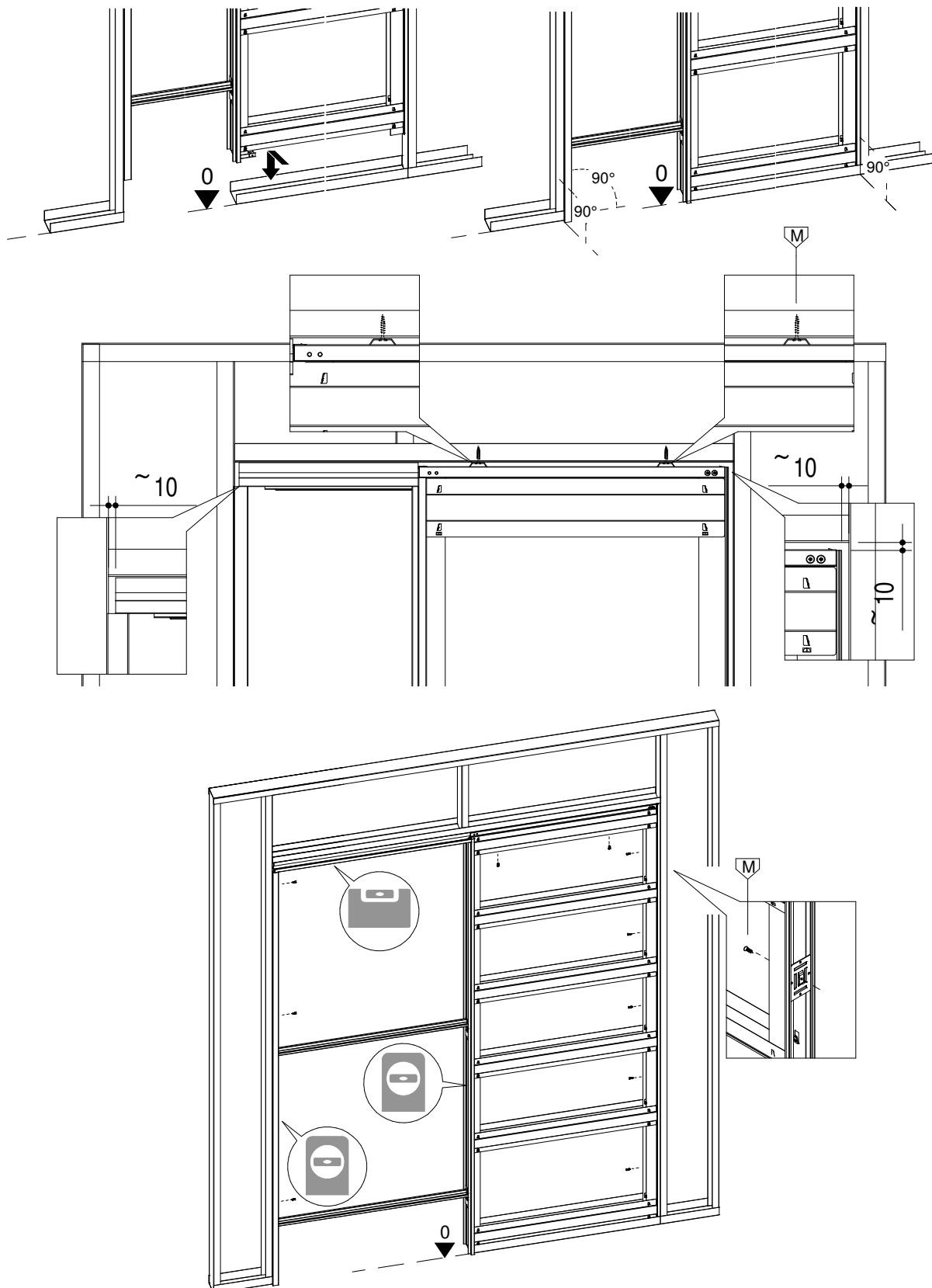




2.6



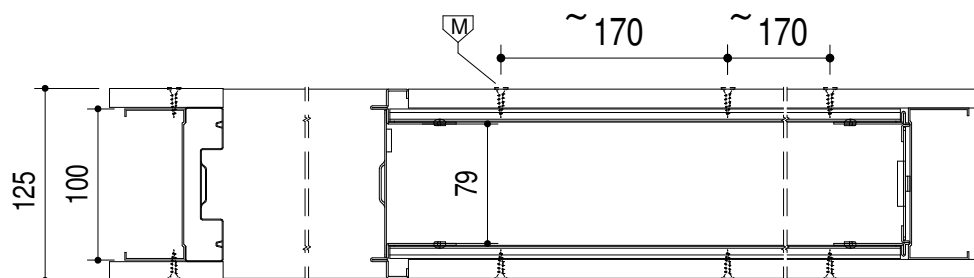
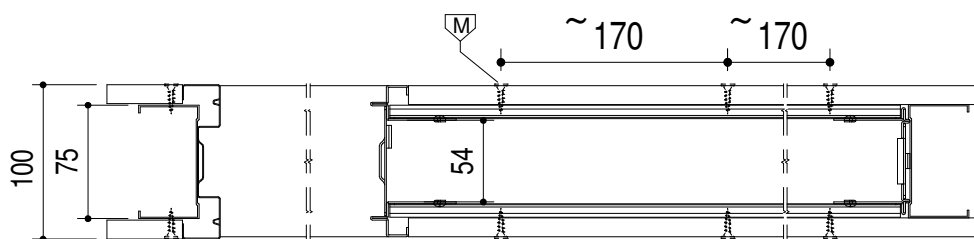
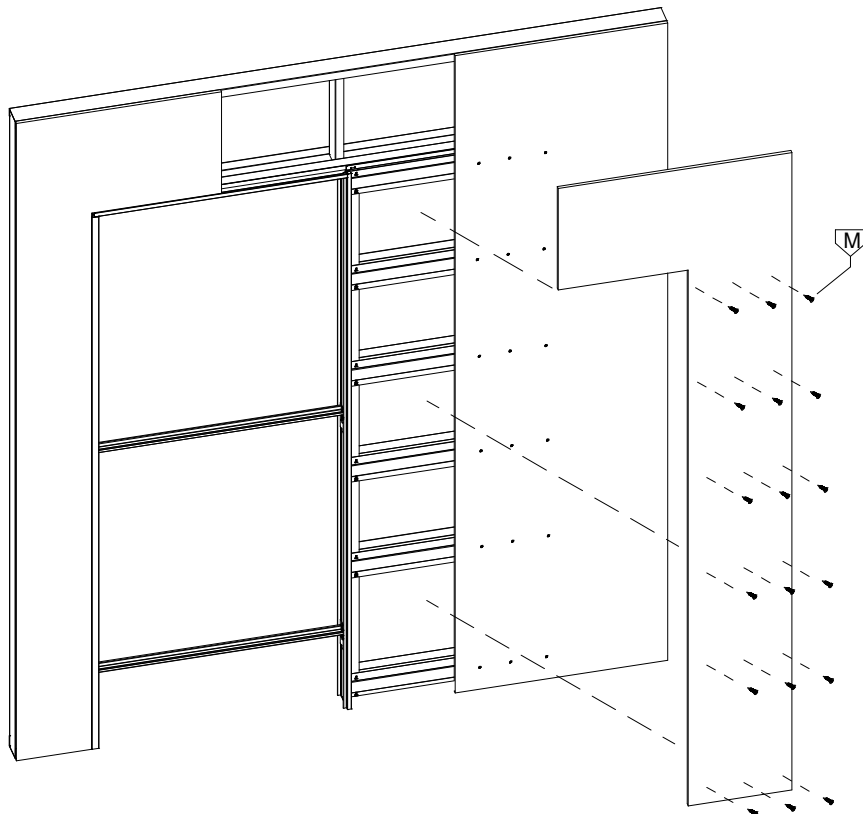
3.1



Subject to misprints, errors and technical modifications.
All dimensions are in mm

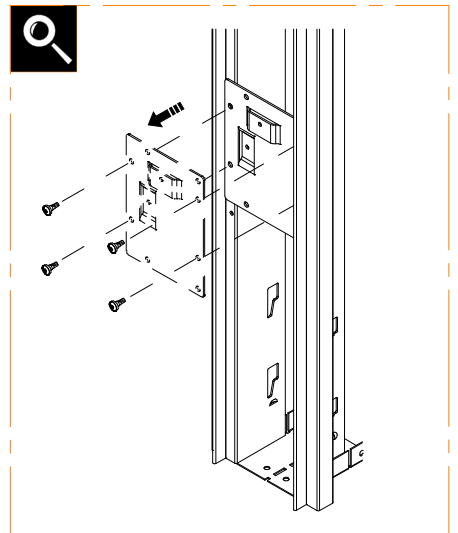
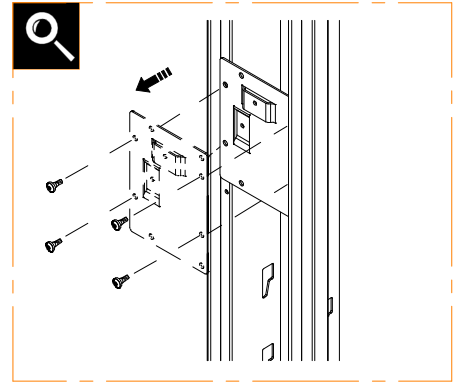
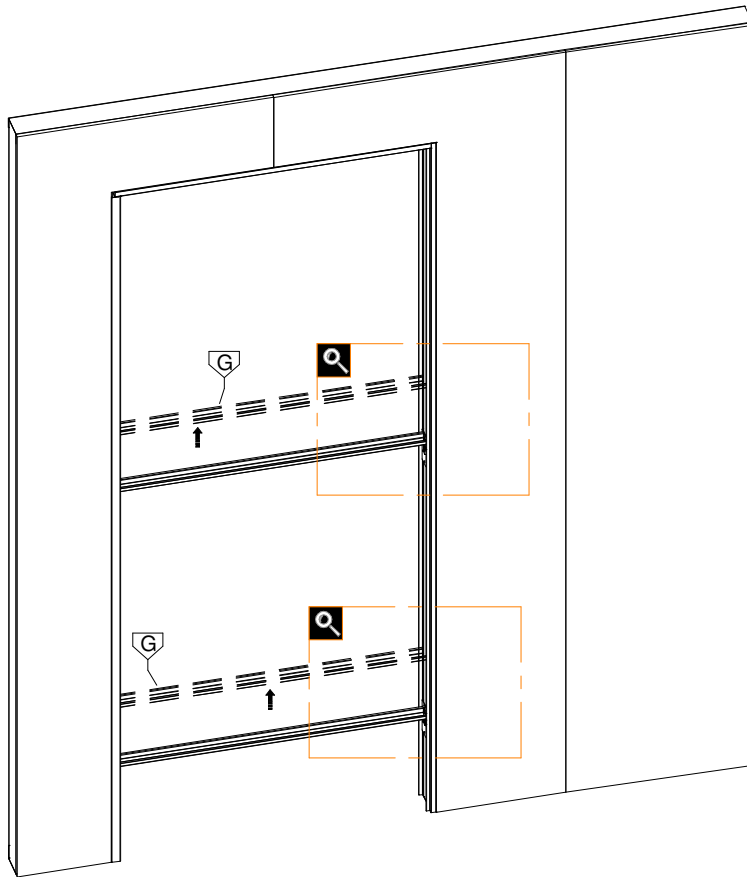


3.2



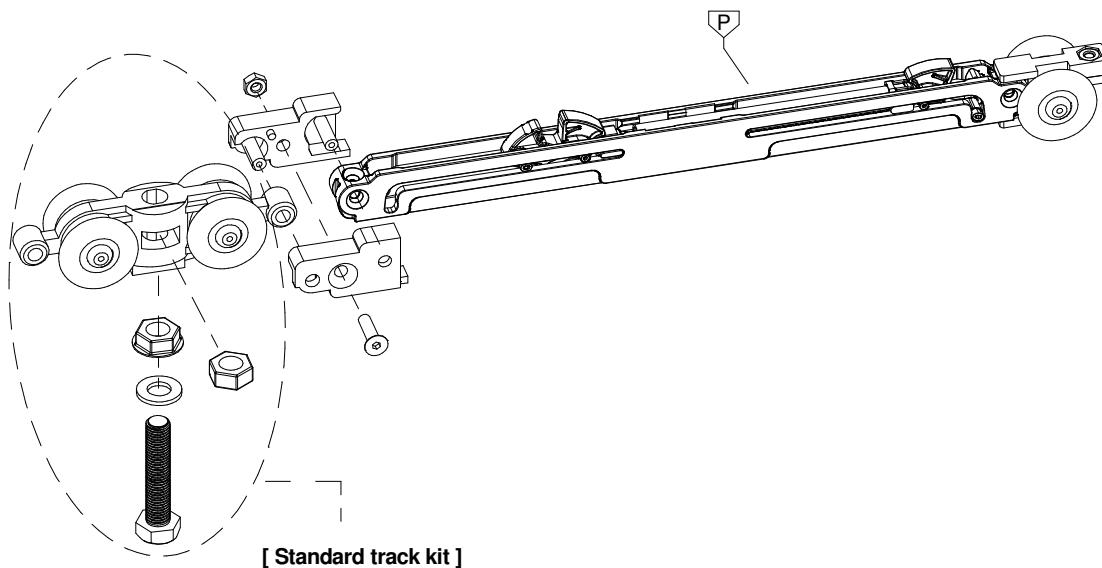
ATTENTION: USE ONLY SCREWS INCLUDED IN KIT !

3.3

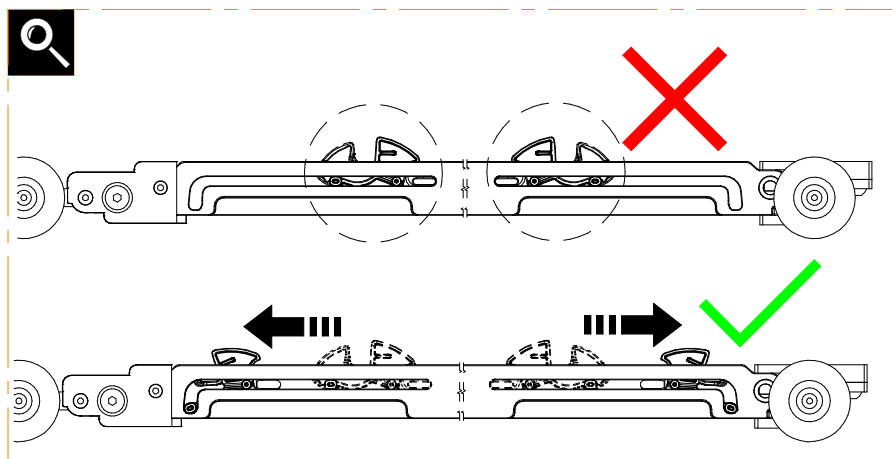
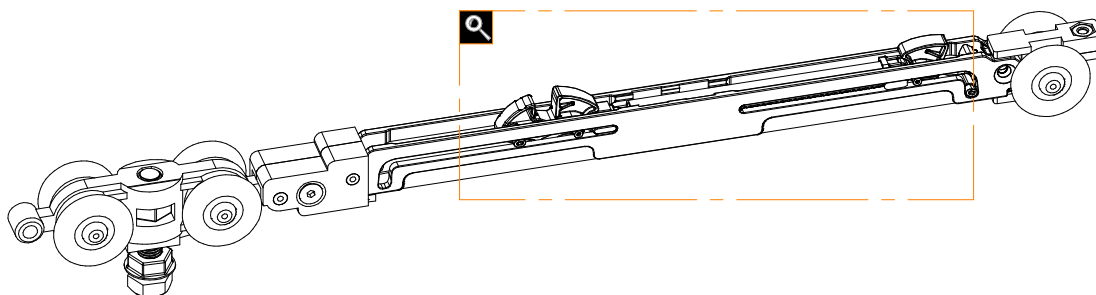




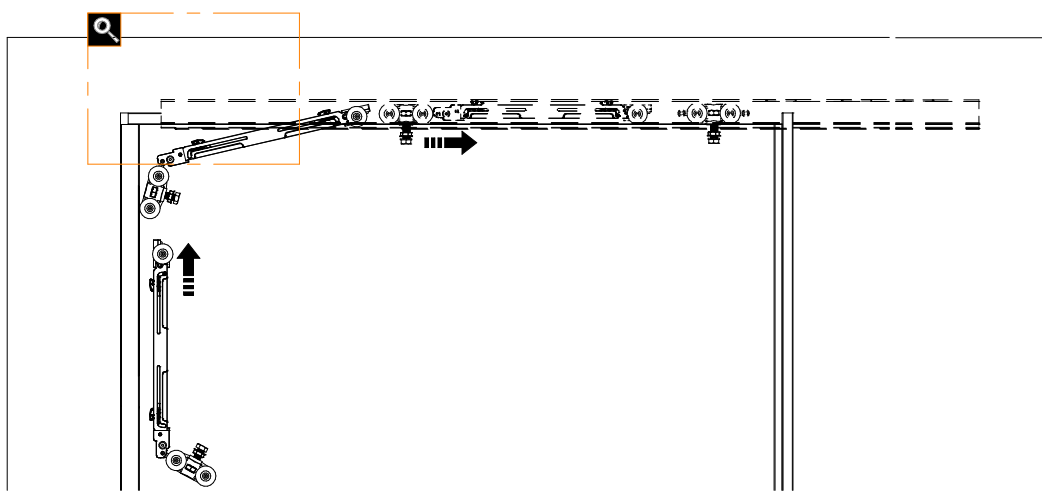
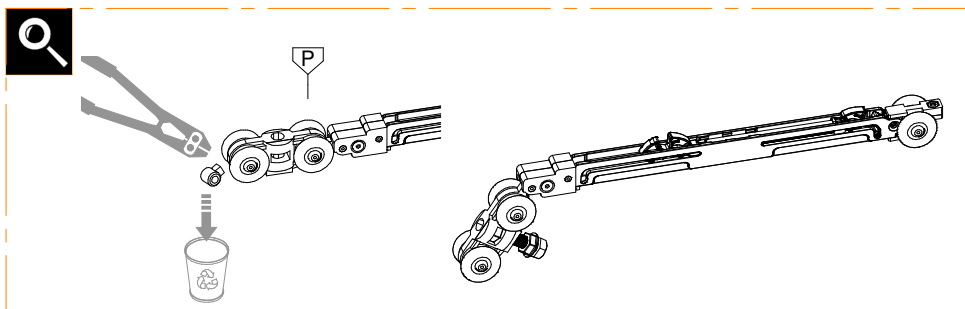
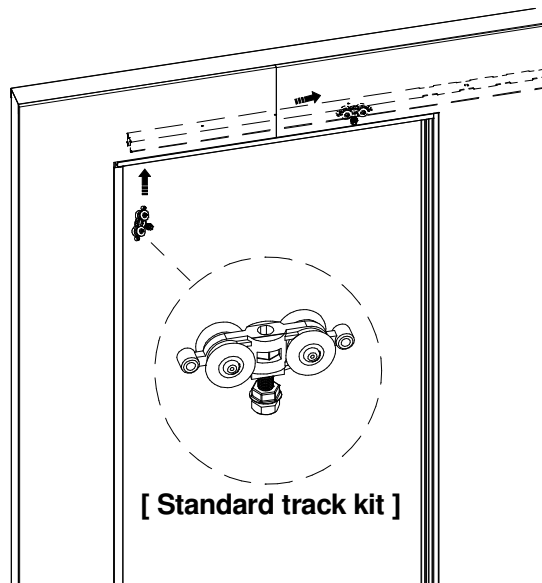
4.1



4.2

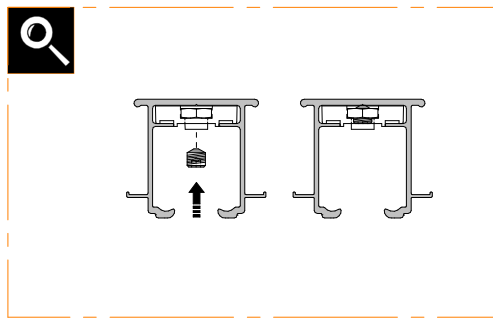
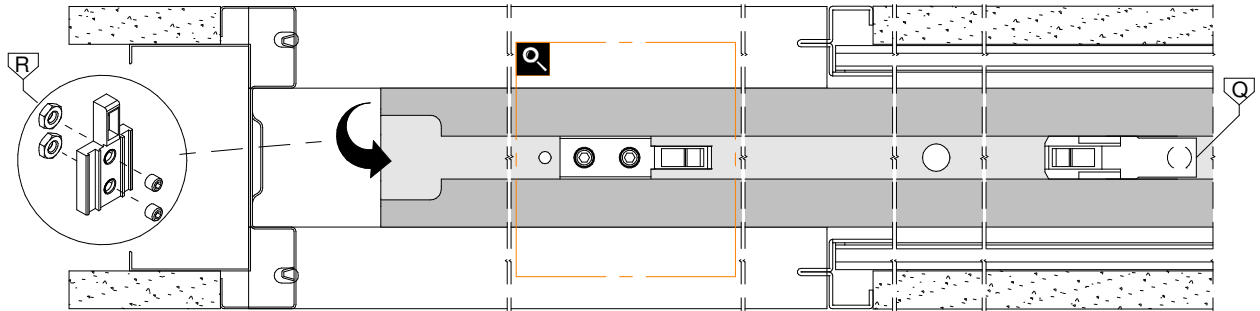


4.3



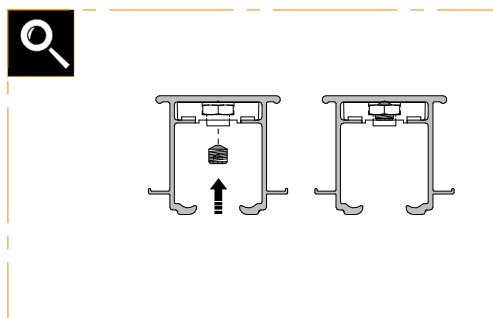
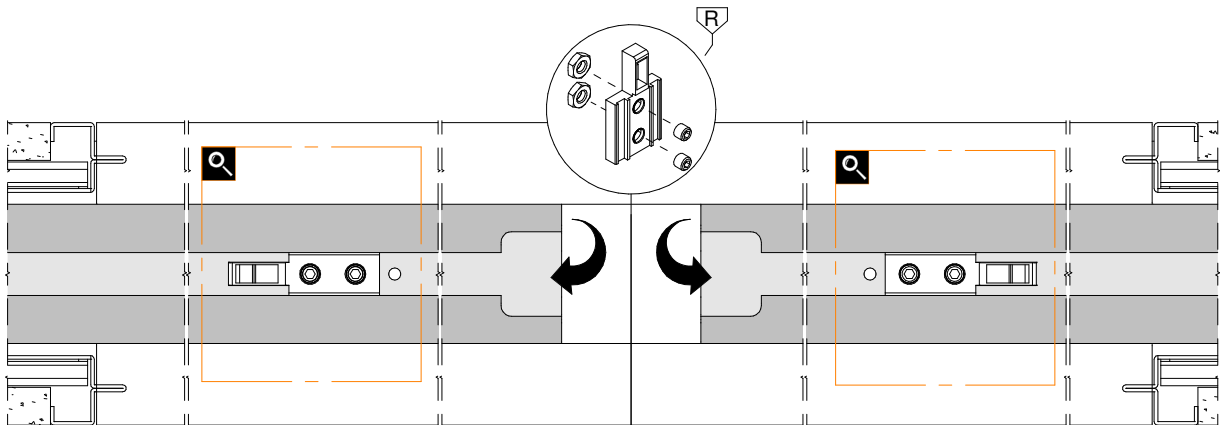
4.6

ACTIVATOR POSITION FOR WOOD / GLASS SINGLE DOOR

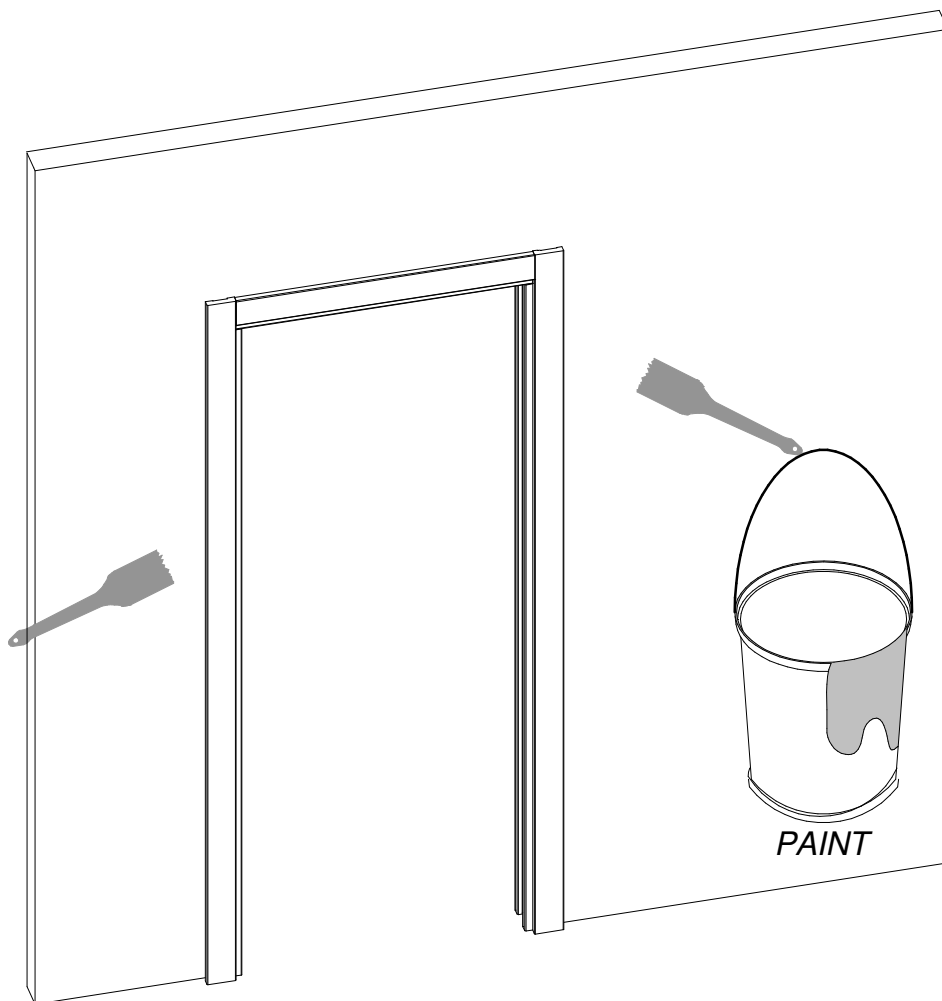
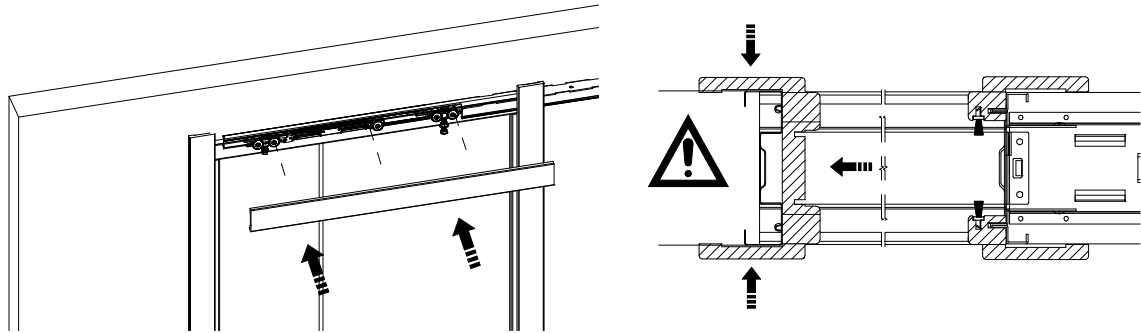


4.7

ACTIVATOR POSITION FOR WOOD / GLASS DOUBLE DOOR



4.9



WATCH OUR
You Tube
VIDEOS HERE



T. +39 (0)883535781



info@ermetika.it



www.ermetika.it



<https://www.youtube.com/c/ermetikasrl>